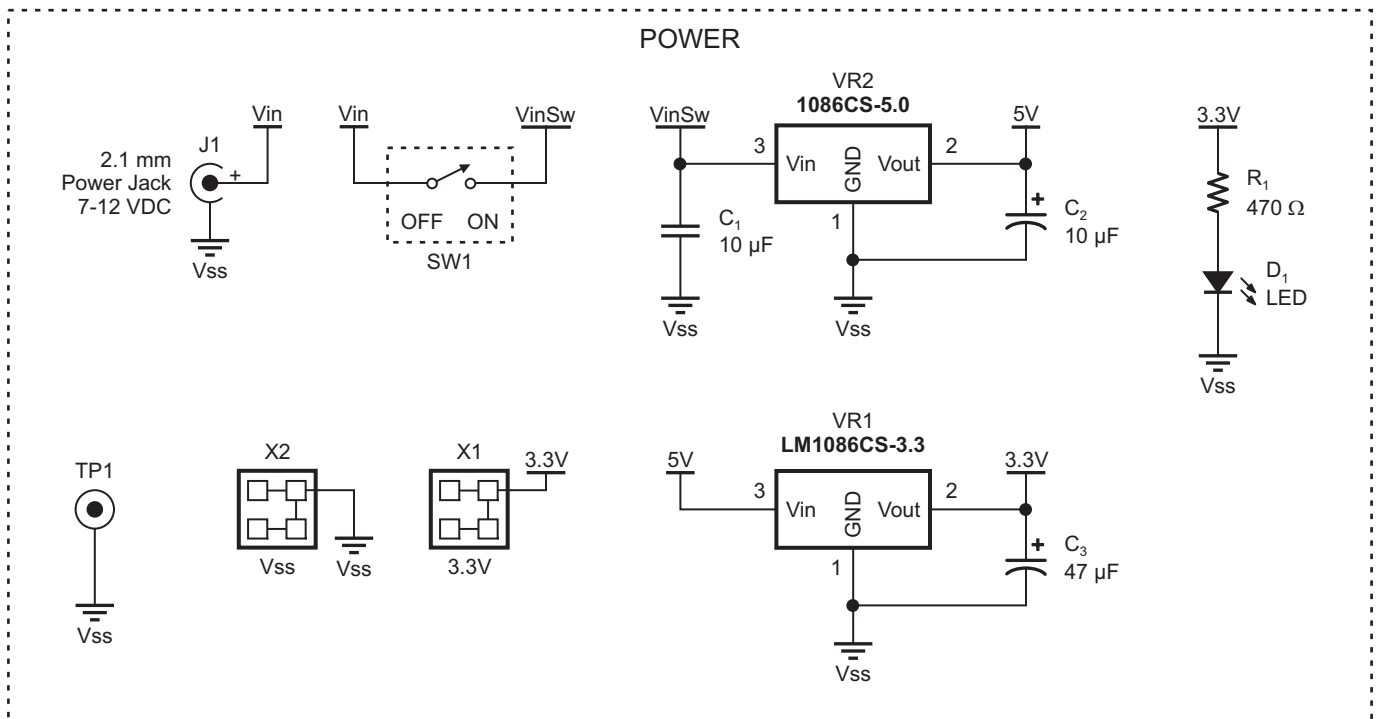


Propeller Professional Development Board Schematic Rev. A

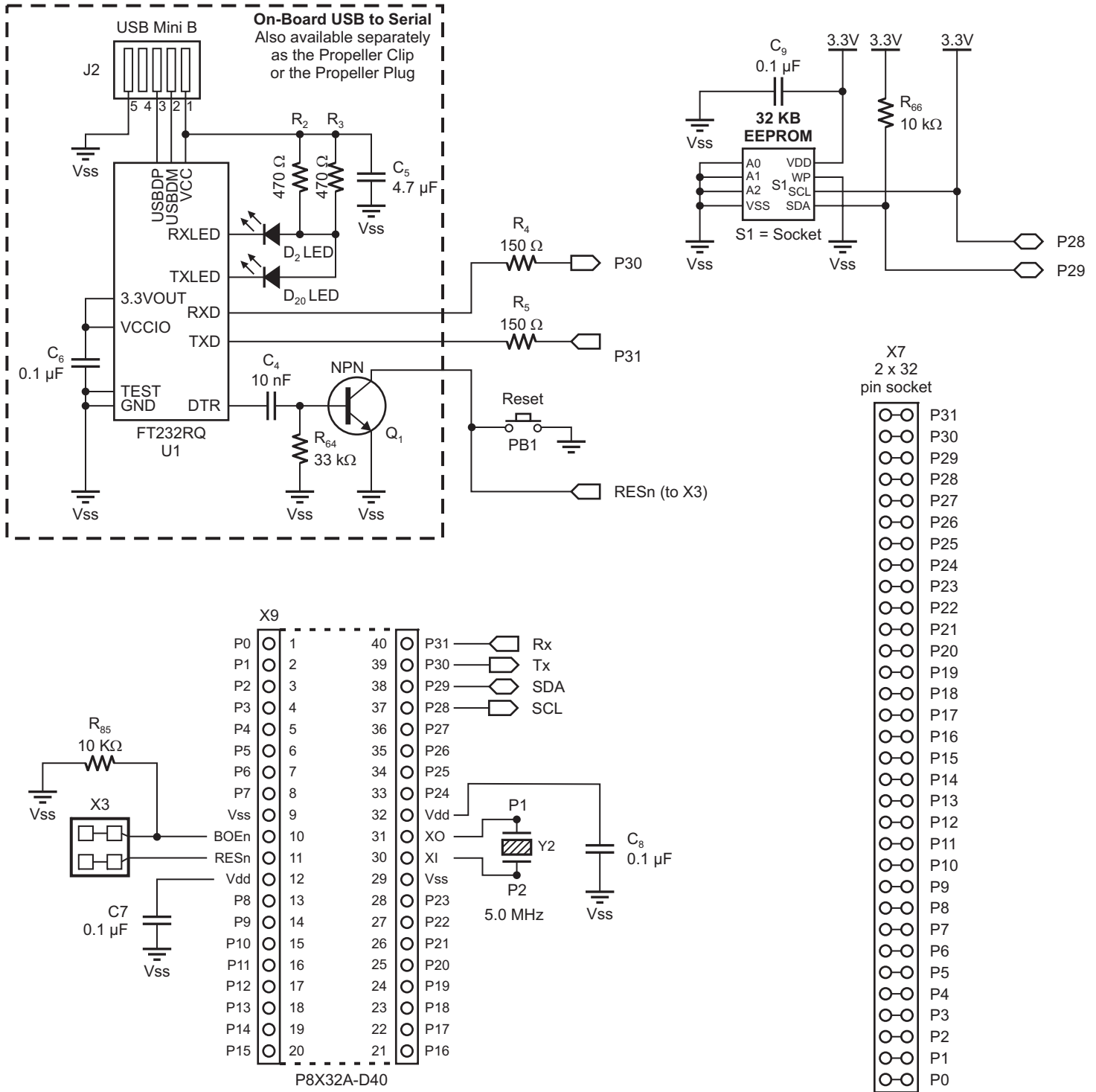
Updated 9-2-08 © Parallax, Inc.



Propeller Professional Development Board Schematic Rev. A

Updated 9-2-08 © Parallax, Inc.

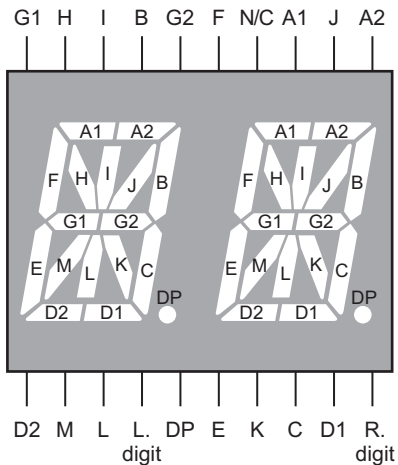
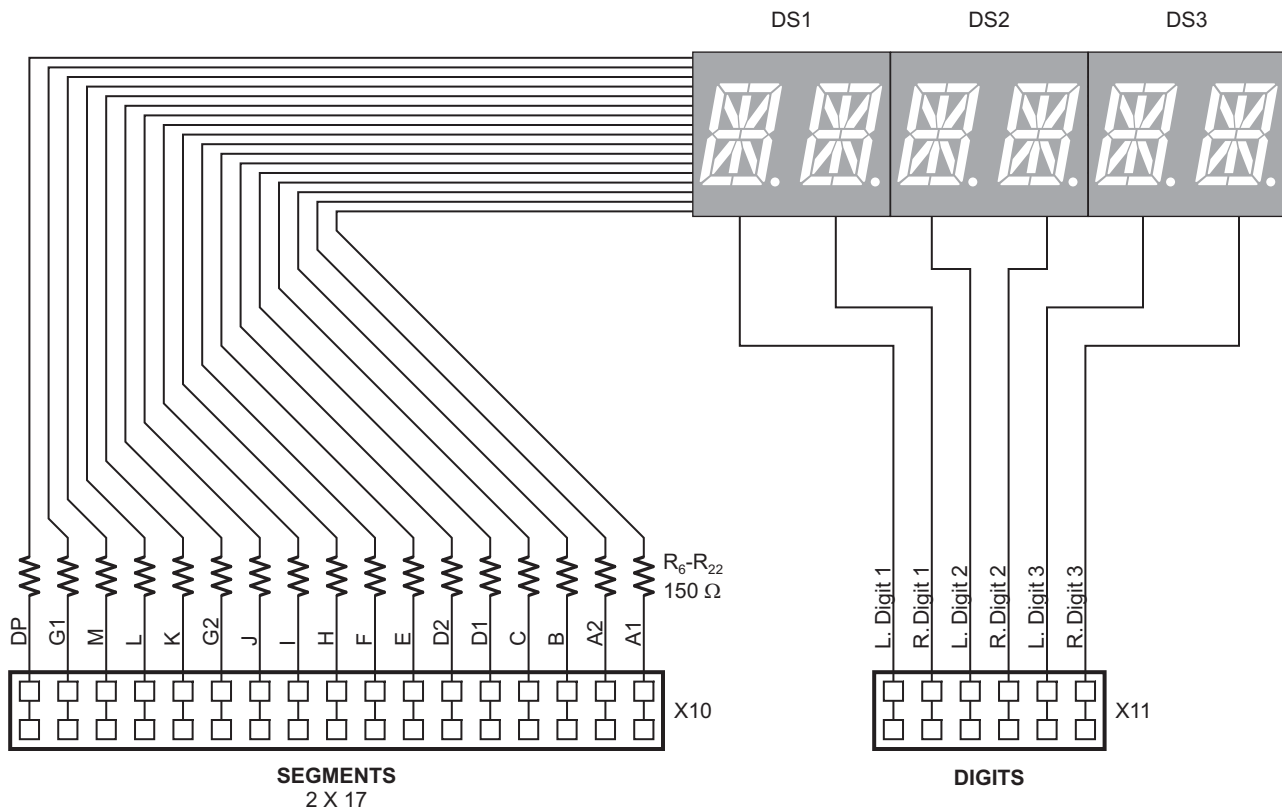
PROPELLER CIRCUIT



Propeller Professional Development Board Schematic Rev. A

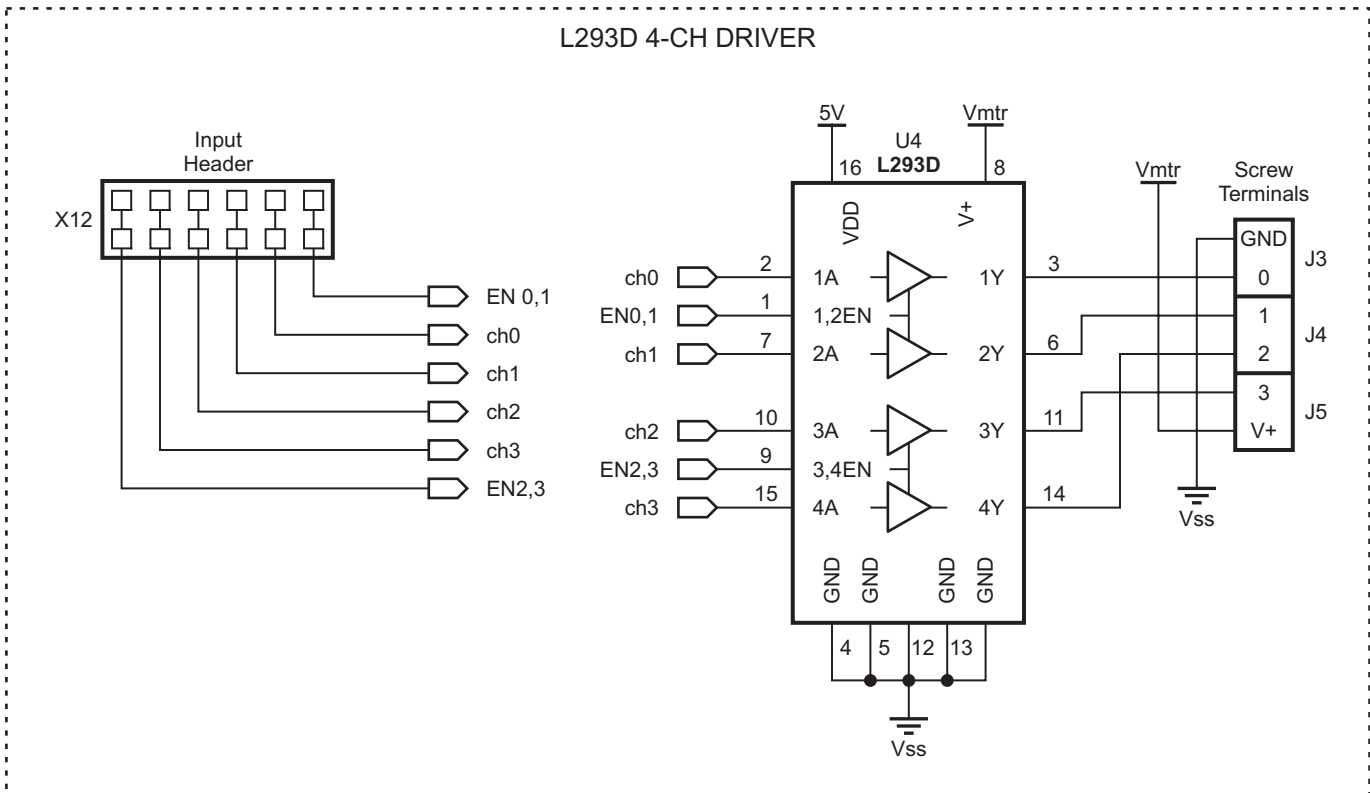
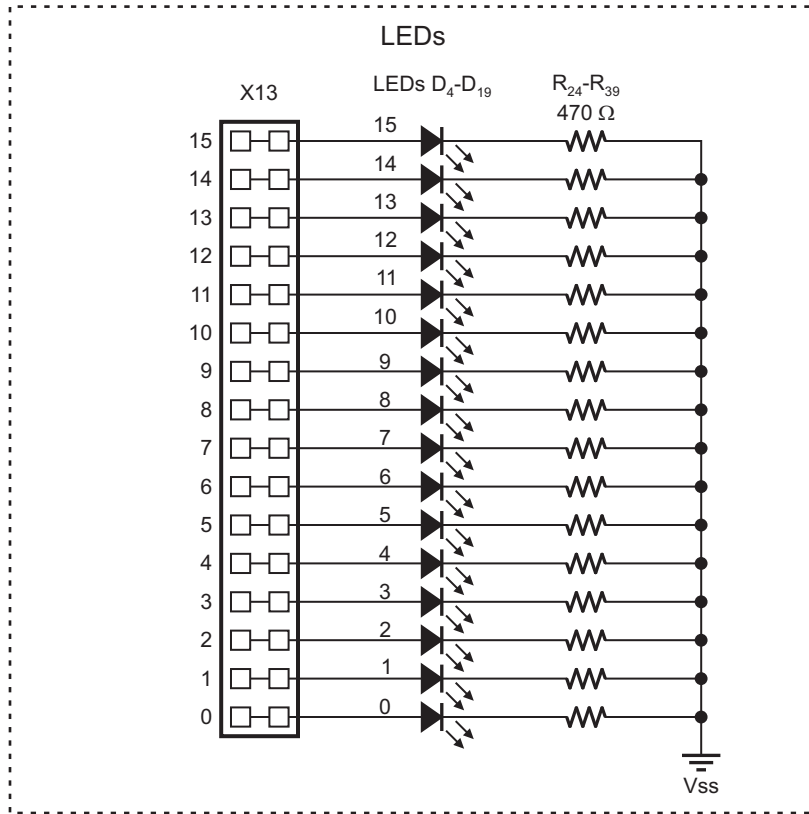
Updated 9-2-08 © Parallax, Inc.

SIXTEEN SEGMENT DISPLAYS



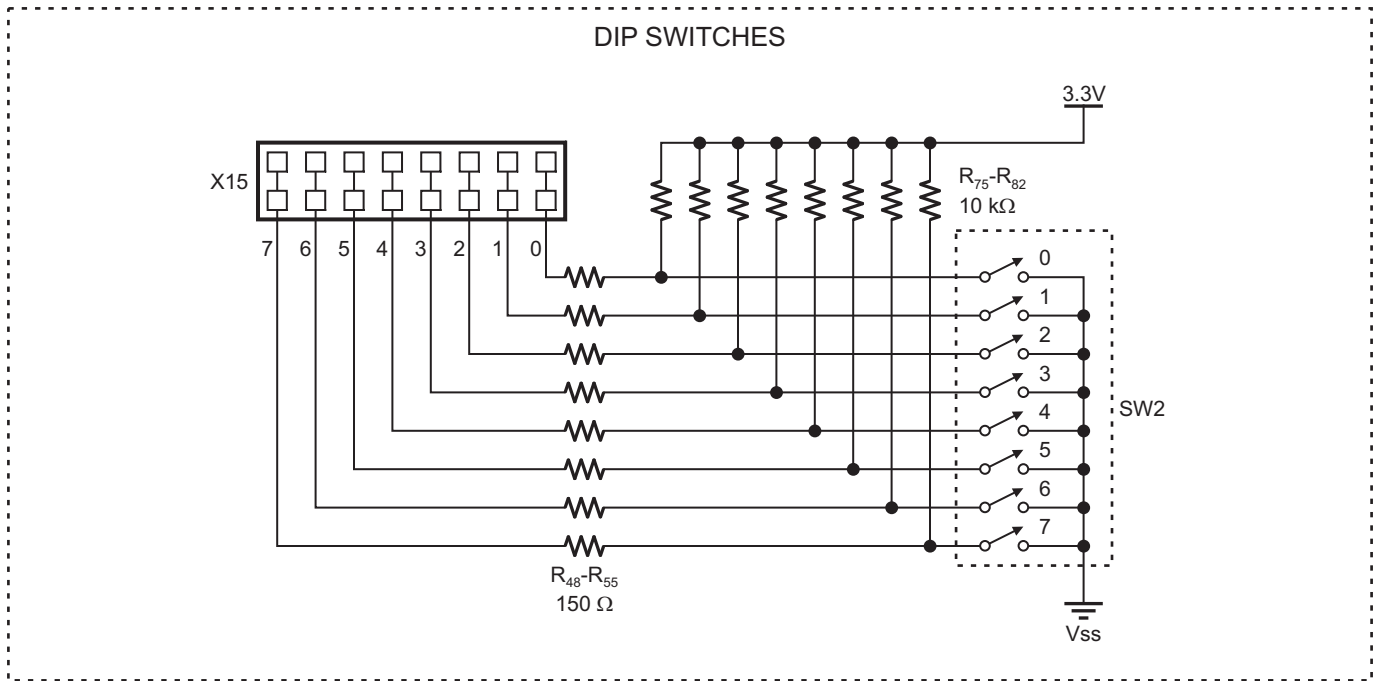
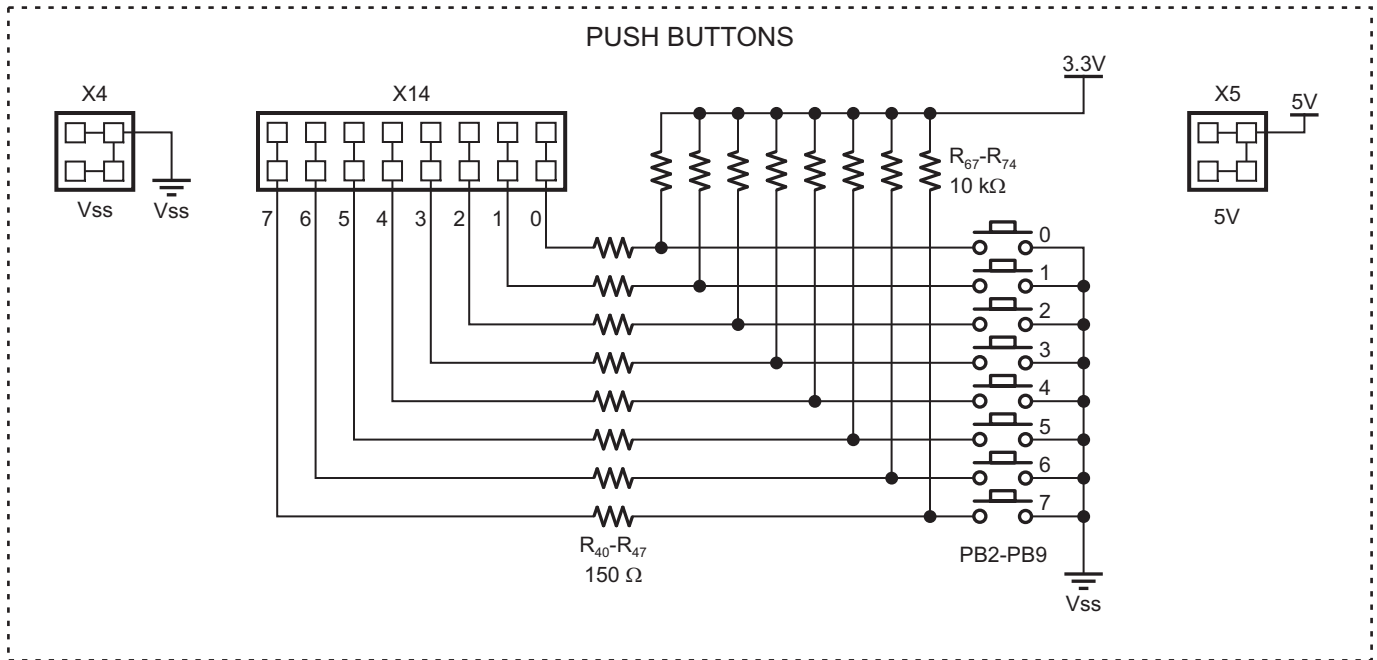
Propeller Professional Development Board Schematic Rev. A

Updated 9-2-08 © Parallax, Inc.



Propeller Professional Development Board Schematic Rev. A

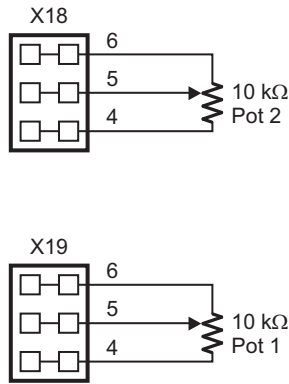
Updated 9-2-08 © Parallax, Inc.



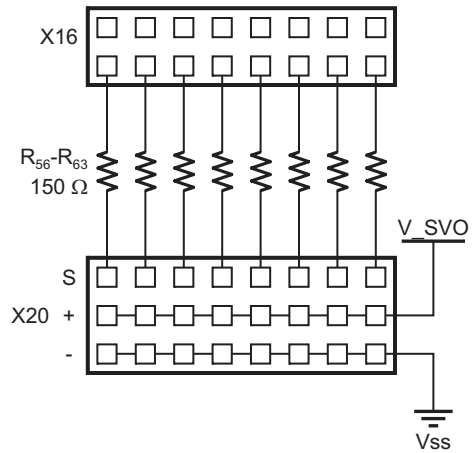
Propeller Professional Development Board Schematic Rev. A

Updated 9-2-08 © Parallax, Inc.

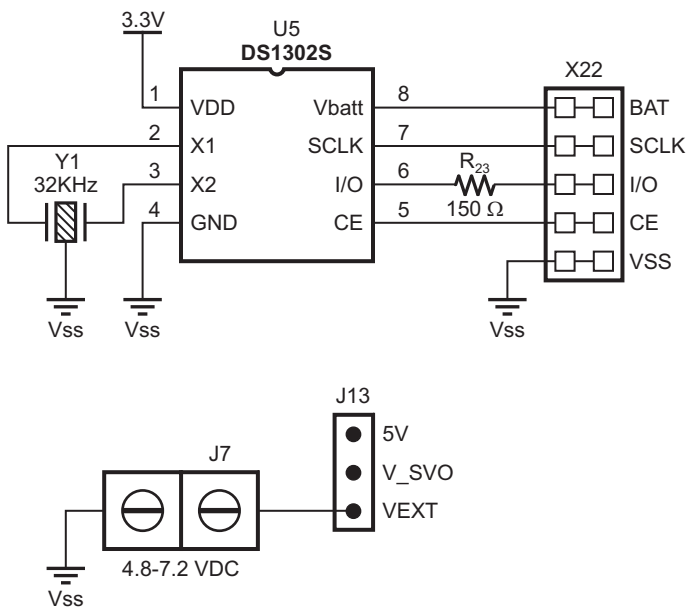
10K POTS



SERVOS

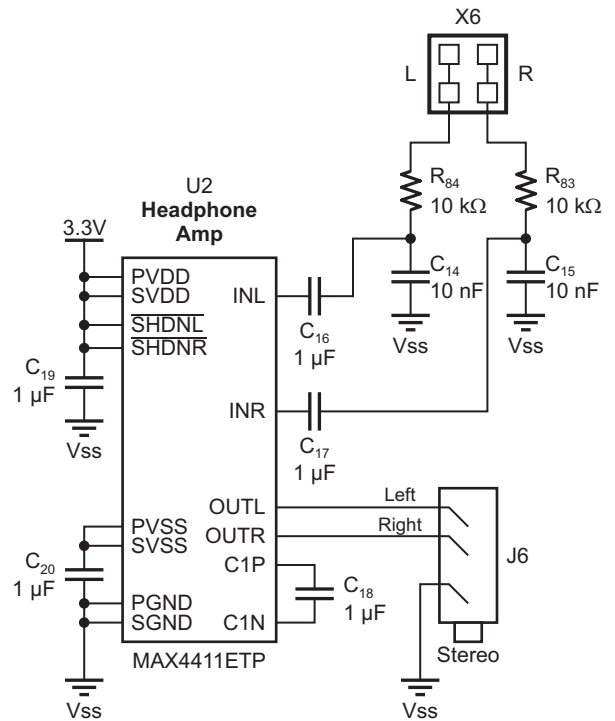


REAL TIME CLOCK



(J7 = Screw Terminal)
 (J13 = HDR 1x3 male)

HEADPHONES



Propeller Professional Development Board Schematic Rev. A

Updated 9-2-08 © Parallax, Inc.

